



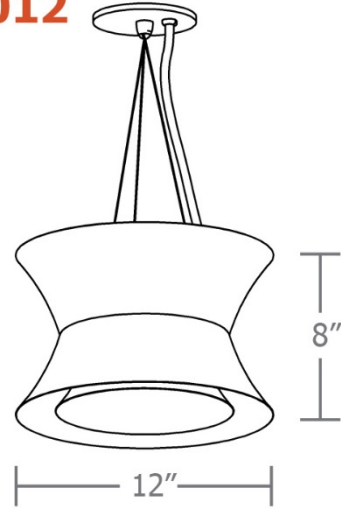
## yo.yo™ 5-slider

your lighting rep has recommended  
the **yo.yo™** indirect/direct  
pendant for your project  
Let's take a quick look:

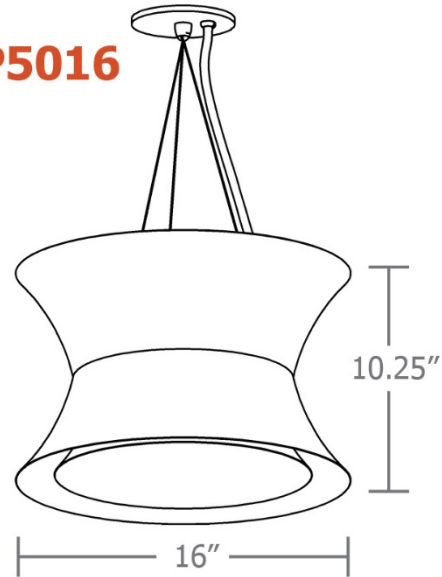


## sizes and lumens

**P5012**



**P5016**



- P5012 (12") / 700 – 2000 lm
- P5016 (16") / 700 – 3000 lm



# construction

integral, programmable driver, constant current, universal input (120-277v), field maintainable, 0-10v controllable, 1% dimming.

three-piece precision CNC spun .063" aluminum housing

two COB LED light engines in 80+ CRI standard or optional 90 CRI 2700K, 3000K, 3500K and 4000K.

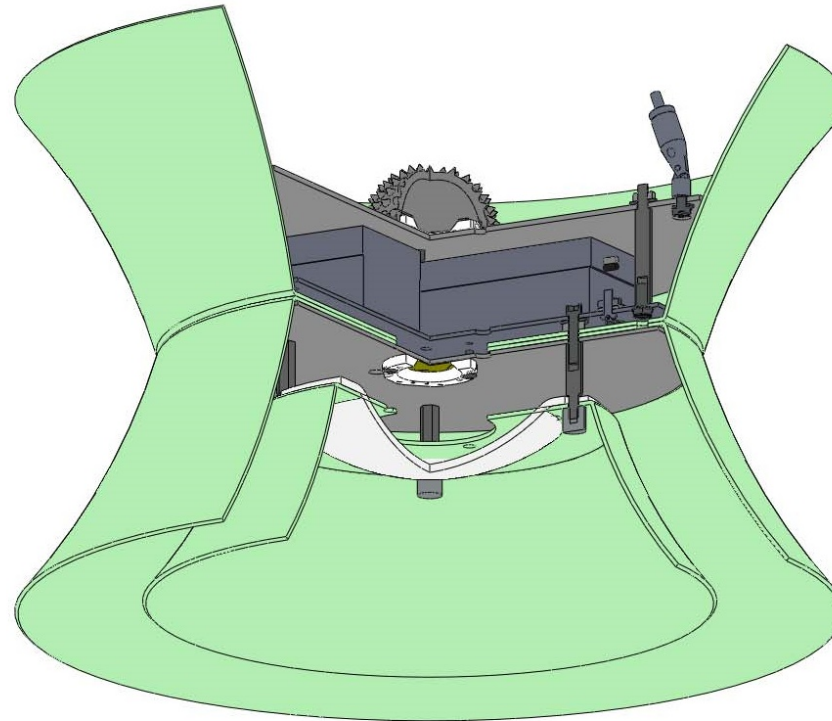
5" dia. spun steel canopy with tripod adjustable stainless-steel cables for exact mounting height

domed silicone lens over indirect COB for light softening effect

optional wiring for remote emergency battery (by other)

optional dual circuit indirect/direct dimming, requires second power cord

21 standard powder coat finishes + custom RAL colors

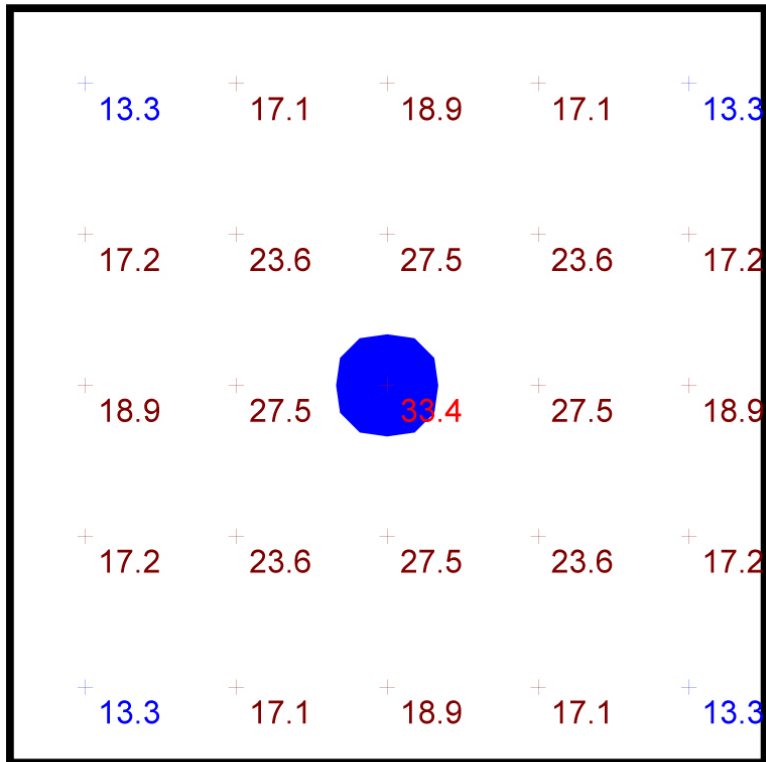


gloss white acrylic bottom dome

# performance

## Statistics

Description	Symbol	Avg	Max	Min	Max/Min	Avg/Min
yo.yo	+	20.2 fc	33.4 fc	13.3 fc	2.5:1	1.5:1



**Plan View**  
Scale - 1" = 2ft

- 10' x 10' x 10'H space
- 80/50/20 reflectances
- bottom of fixture at 8' aff
- FC readings at 2.5' aff
- layout conducted using P5016 HI lumen package (3000 delivered lumens indirect, 1100 delivered lumens direct)







Powder Coat Paint Finishes

MW matte white	CP champagne	YO yellow 1018
TW textured white	BZ bronze	RD red 3020
AP anodized paint	BS brass	BU blue 5017
SS satin silver	GM gun metal	OR orange 2011
TG textured gray	BR brick red	MN mint 6019
FB flat black	BN brown 8023	GR green 6018
SB satin black	MB military blue	PL purple 4005



[www.impactltg.com](http://www.impactltg.com)

- spec sheet and color chart
- photometric files and BIM models
- built to order in Saint Louis, MO, USA
- 4-week lead time

yo.yo™ 5-slider

